



New ideas for Security



Product Catalog

Designed
and
Made
in
Europe



New ideas for Security

DMTech Ltd. was established in 2011.

DMtech Ltd is a spin off, of a leading Bulgarian company in the Fire Alarm Industry. The founder, Milen Kirov, the present General Manager, has more than 20 years experience as a leading Designer for fire Alarm Systems.

DMTech Ltd. can proudly say, the present scope of delivery of fire Alarm Detectors, manual control points and fire Alarm Control Panels conventional and addressable including access to the fire control panel by W- Lan, are designed with the latest technology and know how.

DMTech is an engineering company.

Our hard and software Engineers continuously upgrade and add new features, functions and new equipment to our scope of delivery. We have just added remote access through W LAN to our conventional and addressable fire control panels which gives the end user to check, monitor and modify the program on line and react in case of emergency.

Our products are certified to the European standard CERTIFICATES.

With our Team of R&D Department engineers, mechanical, electronics and programmers we are able to design customized solution in house, to cater for the requirements in different countries and to OEM s.

We assure our costumers all our equipment is designed by our R&D Department and manufactured solely on the territory of the European Union.

We are confident of the reliability of our equipment therefore we grant our costumers a GUARANTY PERIOD OF 3 YEARS

The products with the trade mark of DMTECH are well accepted and acknowledged in a number of countries like Turkey, Romania, Macedonia, Serbia, Albania, Kosovo, Italy, Portugal, Spain, Latvia, Moldova, Georgia, Iran, Iraq, Syria, Bangladesh, Vietnam, Tunisia, Morocco, Pakistan, Greece Mongolia, Kazakhstan, Georgia, Armenia.





RUSSIA

KAZAKHSTAN

MONGOLIA

CHINA

TURKEY

IRAN

PAKISTAN

INDIA

BANGLADESH

EGYPT

SAUDI ARABIA

ARABIA

INDONESIA



ADDRESSABLE FIRE ALARM SYSTEMS

FP 9000A-4 ADDRESSABLE Fire Control Panel

FP9000A-4 is a modular addressable fire control panel with 2 built-in loops and the ability to add 2 more loop modules. Supports up to 4 loops and 1000 addressable devices. Ability to build a network of 8 addressable panels with visualization from each panel. USB Interface for connection to a computer for programming and quick setup of the control panel. Ability to monitor and manage all events at the panel with LAN interface from a smart phone or computer, remotely, from anywhere in the world, via Internet connectivity.

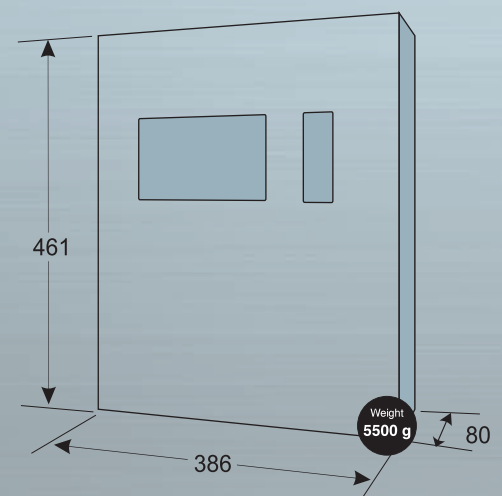


FP9000A-4

NEW

Functional characteristics:

Up to 4 loops	DMTech protocol
2 loops - up to 4 loops (1+1)	DMTech protocol
Loop devices	up to 250 devices
Maximum number of addressable devices	1000
Load capacity of the loop	up to 500 mA
Zones	128
Relay outputs	4
Outputs (monitored, programmable, relay)	2
Consumer power supply	(18-26) V / 4.5A
Memory	10 000 events
Display with touch screen	color TFT 7"
Language versions	Multilingual
Programming	DMTech software
Interface for connecting panels to a network	RS 485
Consumer power supply	(18-26) V / 2.0 A
2 batteries	12V / (18) Ah
Metal box	461x386x80
Color	white / anthracite



ADDRESSABLE FIRE ALARM SYSTEMS

FP 9000A ADDRESSABLE Fire Control Panel

FP 9000A is analog addressable fire control panel with 1 loop up to 250 addressable devices and one conventional line up to 32 detectors. The panel is produced in a plastic or metal box with a compact surface mount. The panel is easy to install, maintain and operate on a daily basis.

Plastic box

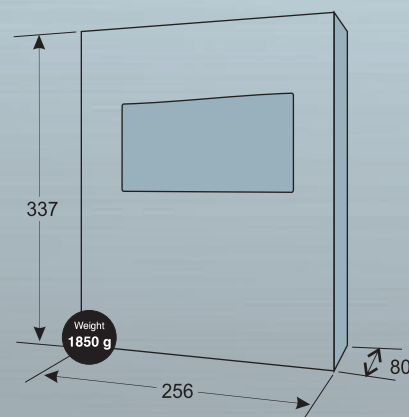
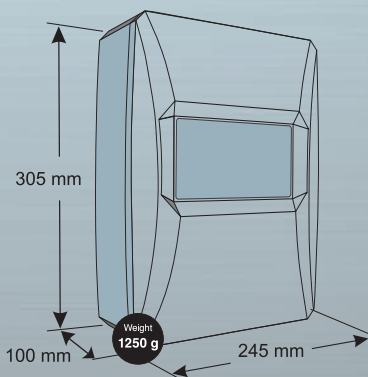


Metal box



Functional characteristics:

1 loop	DMTech protocol
Devices on the loop	up to 250 devices
Load capacity	up to 500 mA
Zones	8
Relay outputs	4
Outputs (controllable, programmable, relay)	2
Consumer Power Supply	(18-26) V / 1,5 A
Event memory	1023 events
Display	LCD 4*20 symbols
Language versions	Multilingual
Programming	DMTech software
Output for Interface	RS 485
One conventional line	up to 32 devices
Certified according	EN 54-2 and EN 54-4



ADDRESSABLE FIRE ALARM SYSTEMS

FP 9000AR Repeater for ADDRESSABLE panels

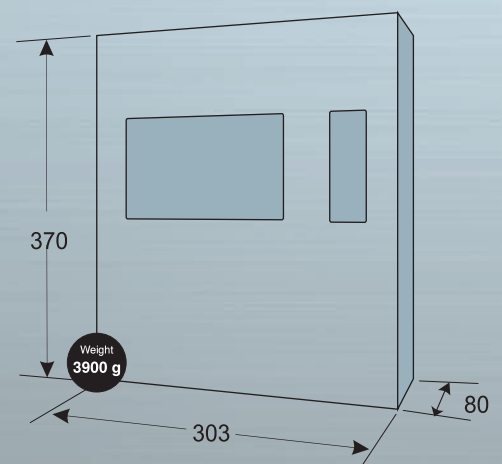
FP9000AR is a 7" color TFT display repeater with touch screen for monitoring and control of FP9000A addressable fire control panels via RS485 interface. Ability to monitor and manage all panel events from a smart phone or computer, remotely, from anywhere in the world, via Internet connectivity. Real time clock, energy independent. Text message for each remote panel and devices. Switching on and disabling remote panels.



NEW

Functional characteristics:

Monitoring and control of remote fire alarm panels	up to 16
Monitoring of fire zones	up to 128
Memory	10 000 events
Language versions	multilingual
1 monitored siren output	500 mA
Interface	RS 485 and LAN
Consumer power supply	(18-26) V / 2.0 A
Space for 2 12V batteries	(4.5 - 7) Ah
Ability to monitoring and address devices	up to 4000
Display with touch screen	color TFT 7"
Metal box	370x303x80
Color	white / anthracite



ADDRESSABLE FIRE ALARM SYSTEMS



D 9000A T A1R
ADDRESSABLE
Rate of Rise Heat Detector
With DMTech communication protocol

- Functional characteristics:**
- Power supply from the control panel
 - Consumption in Duty mode 510 μ A
 - Consumption in Alarm mode 2 mA
 - Capability indication - 16 sec.
 - Compatible with base B 9000A with lock possibility
 - Address programming through a DMProg programmer or from the control panel.
 - Class A1R (EN 54-5) for the heat part.
 - Certified according EN 54-5



D 9000A T A1S
Fixed Temperature
Heat Detector
ADDRESSABLE
With DMTech communication protocol

- Functional characteristics:**
- Power supply from the control panel
 - Consumption in Duty mode 510 μ A
 - Consumption in Alarm mode 2 mA
 - Capability indication - 16 sec.
 - Compatible with base B 9000A with lock possibility
 - Address programming through a DMProg programmer or from the control panel.
 - Class A1S (EN 54-5) for the heat part.
 - Certified according EN 54-5



D 9000A SR
ADDRESSABLE
Optical Smoke
Fire Detector

- Functional characteristics:**
- Power supply from the control panel
 - Consumption in Duty mode 510 μ A
 - Consumption in Alarm mode 2 mA
 - Capability indication - 16 sec
 - Compatible with base B 9000A with lock possibility
 - Address programming through a DMProg programmer or from the control panel
 - Certified according EN 54-7



D 9000A MSR
ADDRESSABLE
Combined Optical Smoke
and Heat Fire Detector
With DMTech communication protocol

- Functional characteristics:**
- Power supply from the control panel
 - Consumption in Duty mode 510 μ A
 - Consumption in Alarm mode 2 mA
 - Capability indication - 16 sec.
 - Compatible with base B 9000A with lock possibility
 - Address programming through a DMProg programmer or from the control panel
 - Class A1R (EN 54-5) for the heat part.
 - Certified according EN 54-5 and EN 54-7



S 9000A | S 9000A F
ADDRESSABLE
Indoor Fire Alarm Siren
With DMTech communication protocol

- Functional characteristics:**
- Sound level (90-94) dB
 - Power supply from the control panel
 - Consumption in Duty mode 470 μ A
 - Consumption in Alarm mode 12 mA
 - Address programming through a DMProg programmer or from the control panel
 - Built-in isolator
 - Certified according EN 54-3 and EN 54-17

ADDRESSABLE FIRE ALARM SYSTEMS

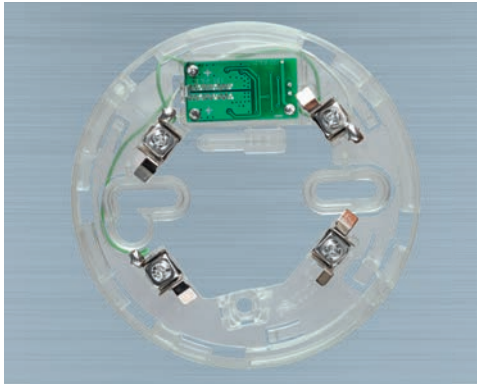


B 9000A Standard Base for ADDRESSABLE Fire Detectors Series D 90000A

Ability to lock the detector to the base.

Functional characteristics:

- Connecting wires - 0.4-2.0 mm²
- Material (plastic) - ABS
- Compatible with D 9000A series detectors
- Key with ability to lock the detectors



B 9000AI Base with Isolator for ADDRESSABLE Fire Detectors Series D 90000A

Ability to lock the detector to the base.

Functional characteristics:

- Connecting wires - 0.4-2.0 mm²
- Material (plastic) - ABS
- Compatible with D 9000A series detectors
- Key with ability to lock the detectors



D 9000A MCP ADDRESSABLE Manual Call Point

With DMTEch communication protocol

Functional characteristics:

- Power supply from the control panel
- Consumption in Duty mode 470 μ A
- Consumption in Alarm mode 2 mA
- Recoverable flexible working element
- Protective transparent plastic cover
- Special key for recovery after an alarm event and test
- Address programming through a DMProg programmer from the control panel
- Built-in isolator
- Certified according to EN 54-11 type "A" and EN 54-17
- IP Degree of protection IP 40



M 9000A IO ADDRESSABLE Module with 1 Output and 1 Input

With DMTEch communication protocol

Functional characteristics:

- Input - controllable
- Output - Relay (NC, COM, NO) - 5 - 30 VDC/1 A
- Power supply from the control panel
- Consumption in Duty mode 350 μ A
- Consumption in Alarm mode 6 mA
- Address programming through a DMProg programmer or from the control panel.
- Built-in isolator
- Certified according EN 54-18 и EN 54-17
- Plastic box suitable for wall mounting or DIN rail



M 9000A ACZ ADDRESSABLE Module for Conventional Zone

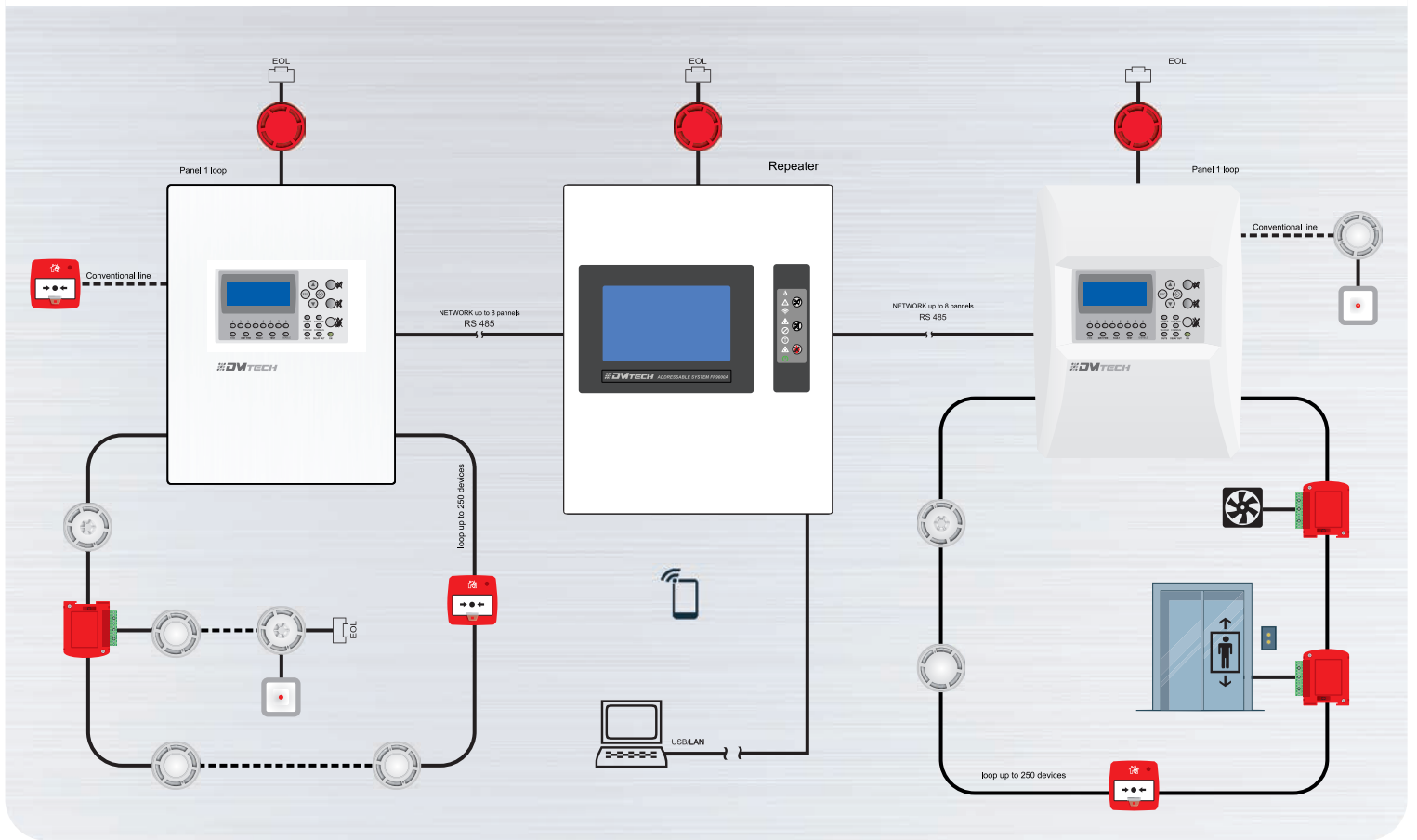
Used to monitor and connect conventional fire detectors to an addressable panel

Functional characteristics:

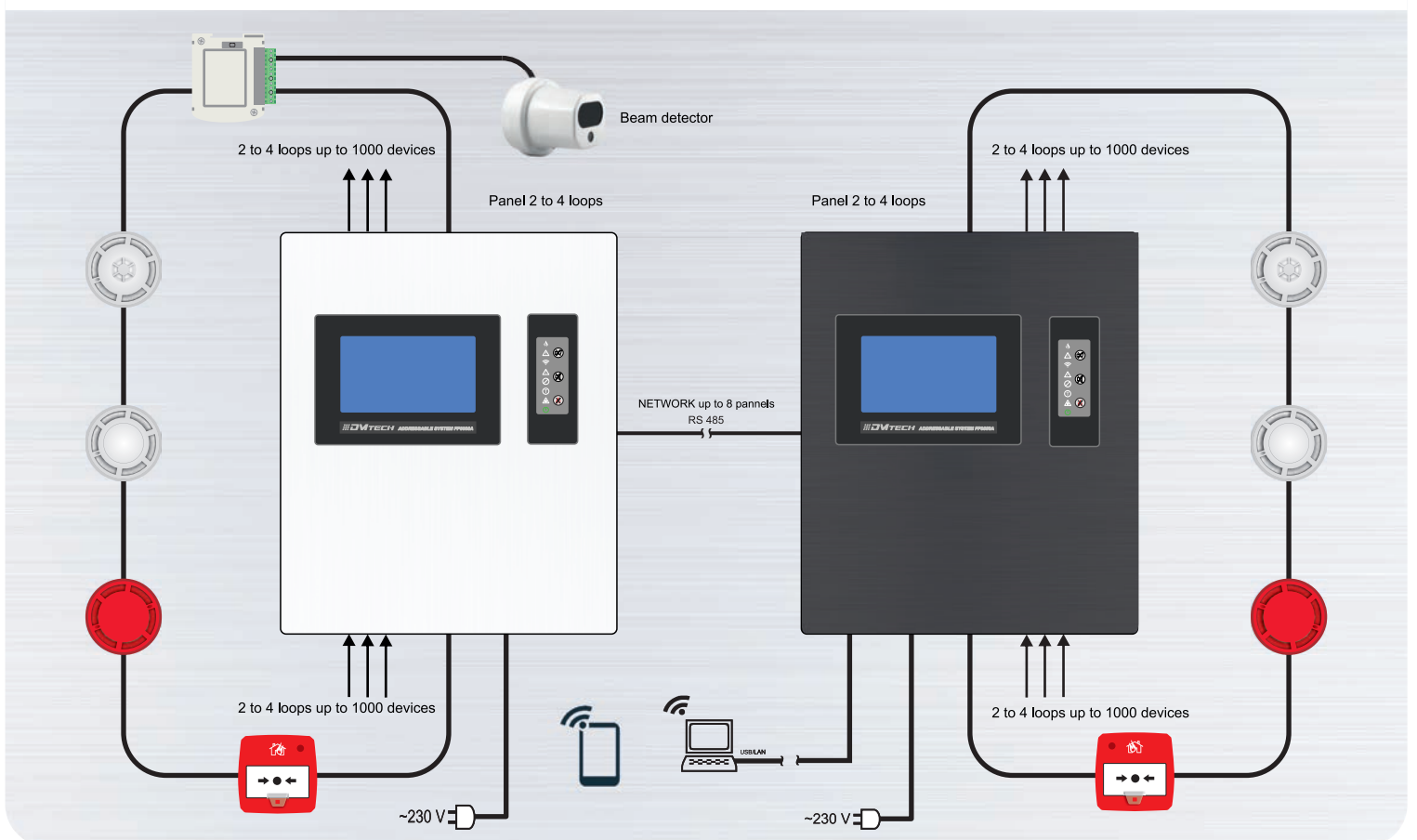
- Conventional zone up to 32 fire detectors
- End of line for conventional zone (EOL) - 4,7 k/0.5 W
- Power supply from the control panel
- Consumption in Duty mode 7 mA
- Consumption in Alarm mode 27 mA
- Address programming through a DMProg programmer or from the control panel
- Built-in isolator
- Certified according EN 54-18 и EN 54-17
- Plastic box suitable for wall mounting or DIN rail

ADDRESSABLE FIRE ALARM SYSTEMS

Addressable Fire Alarm System



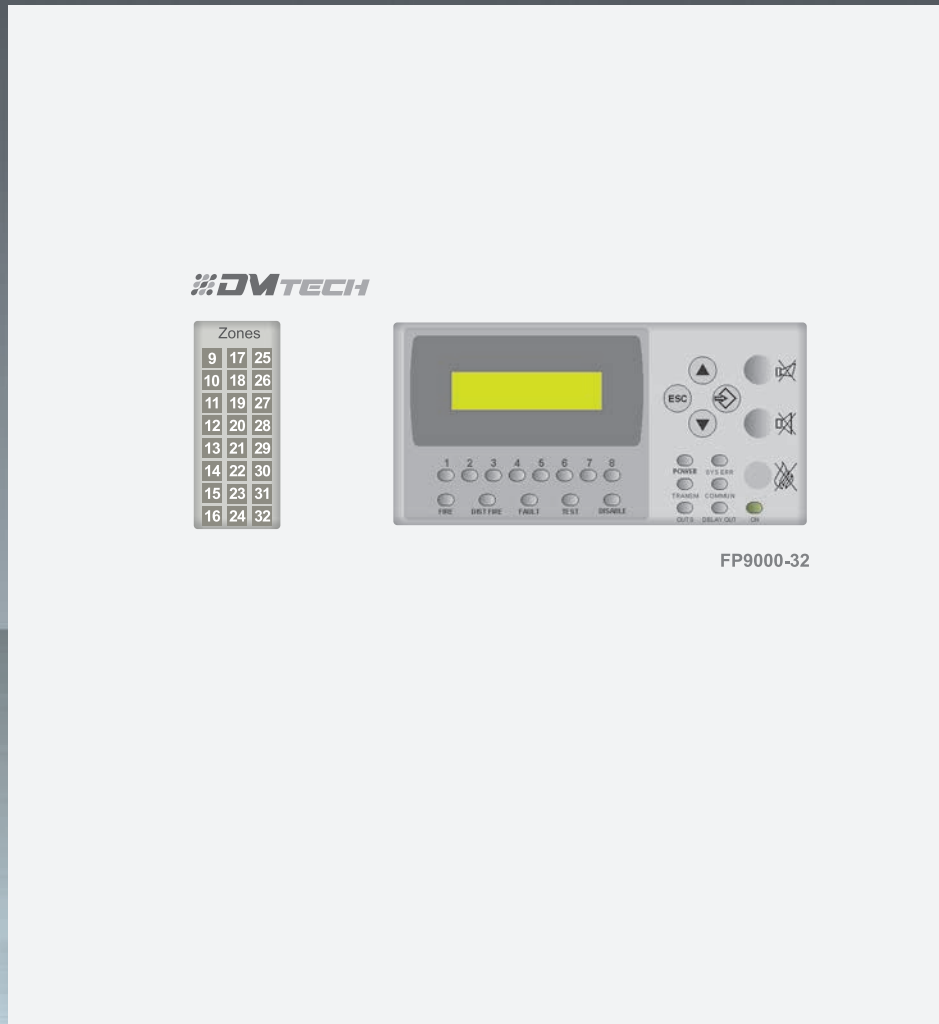
Addressable Fire Alarm System - 2 to 4 loops



CONVENTIONAL FIRE ALARM SYSTEMS

FP 9000-16/24/32 CONVENTIONAL Fire Control Panel

FP 9000 -16/24/32 are conventional fire alarm panels with 16, 24 or 32 fixed zones, certified according to standards EN54-2 and EN54-4.

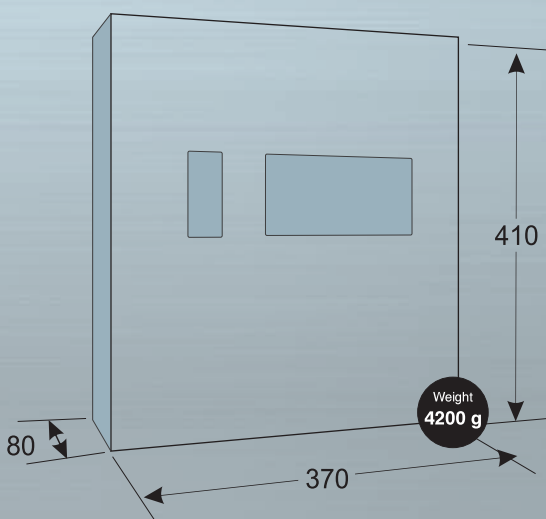


FP9000-32

Functional characteristics:

Monitored areas with up to 32 automatic or manual fire detectors 16, 24 or 32

2 monitored siren outputs	500 mA
Relay outputs - programmable	8/12/16
2 relay outputs	1 output "fire"
1 output "fault"	yes
Archive	1600 events
Text message for each zone	yes
Programming panel parameters	over 70
Functions against false alarms	yes
Output delay seconds	from 0 to 900
Zone test and disabling	yes
LCD display 2x16 characters and LED zone indication	yes
Metal box	white
Consumer power supply	(18-26) V / 2,0 A
Space for 2 batteries	12 V / (7-18) Ah
Interface output	RS 485
Networking with FP 9000R repeater	



CONVENTIONAL FIRE ALARM SYSTEMS

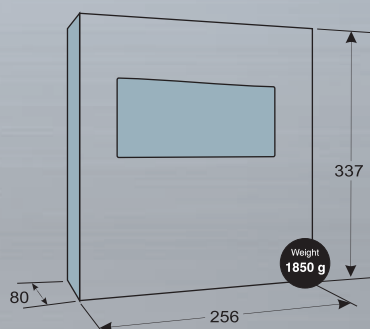
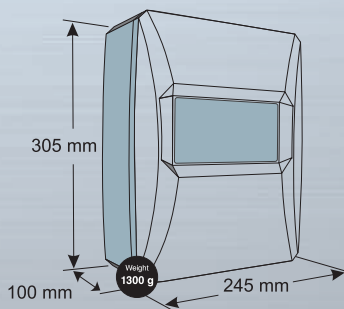
FP 9000-4/8 CONVENTIONAL Fire Control Panel

FP 9000 - 4/8 are conventional fire alarm panels with 4 or 8 fixed zones with display and energy-independent real-time clock. Certified according EN54-2 and EN54-4.

Plastic box



Metal box



Functional characteristics:

4 or 8 monitored zones with up to 32 automatic or manual fire detectors	
2 monitored siren outputs	500 mA
2 relay outputs - programmable	
2 relay outputs: 1 output "fire" and 1 output "fault"	
Archive	1600 events
Ext message for each zone	
Programming panel parameters	over 70
Functions against false alarms	
Output delay, seconds	from 0 to 900
Zone test and disabling	
LCD display 2x16 characters and LED zone indication	yes
Plastic or metal box	
Ability to add M 9000R-x relay module and control 2, 4, 6 or 8 relay outputs	
Consumer power supply	(18-26) V / 2,0 A
Space for 2 batteries	12V / (4.5 - 5) Ah
Interface output	RS 485
Networking with FP 9000R repeater	

CONVENTIONAL FIRE ALARM SYSTEMS

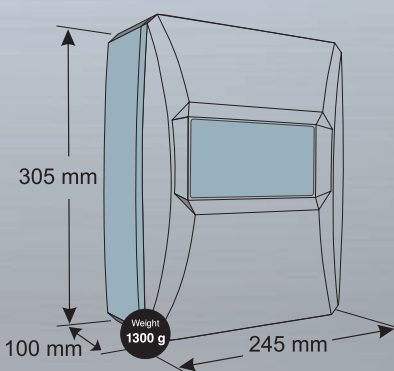
FP 9000L-2/4/8 CONVENTIONAL Fire Control Panel

FP 9000L-2/4/6/8 are conventional fire alarm panels with 2, 4, 6 or 8 fixed zones, certified according EN54-2 and EN54-4. The panel is easy to install, maintain and operate on a daily basis. An effective solution for small objects.

Plastic box

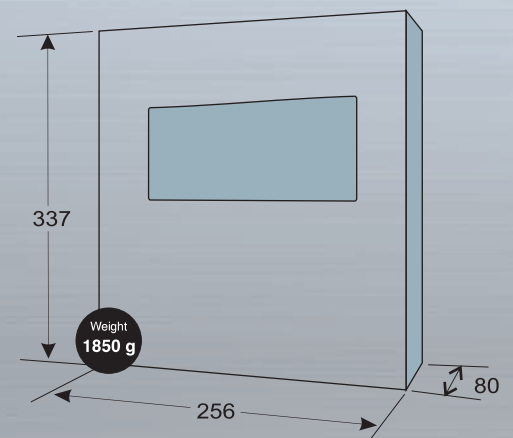


Metal box



Functional characteristics:

- 2, 4, 6 or 8 monitored areas with up to 32 automatic or manual fire detectors
- 2 monitored siren outputs - 500 mA
- 2 relay outputs: 1 output "fire" and 1 output "fault"
- Function against false alarms
- Sirens delay from 0 to 7 minutes
- Zone test and disabling
- LED indication
- Plastic box
- Ability to add M 9000R-x relay module and control 2/4/6 or 8 relay outputs
- Setting all parameters via DMProgL software
- Consumer power supply 18-26 V / 1,0 A
- Space for 2 batteries 12 V / (1.3 - 5) Ah
- RS 485 interface output
- Networking with FP9000R repeater



CONVENTIONAL FIRE ALARM SYSTEMS

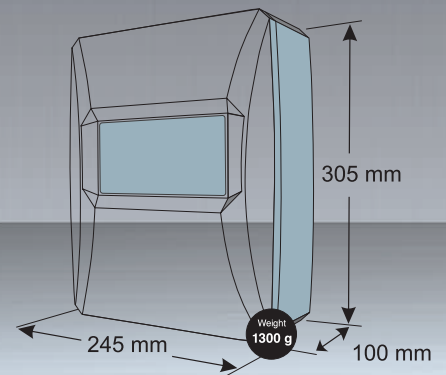
FP 9000R CONVENTIONAL REPEATER

FP 9000R Remote control panel for monitoring and control of FP 9000 remote fire control panels up to 8 pieces.



Functional characteristics:

- Up to 8 zones for monitoring and control of remote fire alarm panels
- LCD display 2x16 characters and LED zone indication
- Real time clock, energy independent
- Archive - 1600 events
- Text message for each remote panel
- 2 monitored siren outputs - 500 mA
- 2 relay outputs - programmable
- 2 relay outputs: 1 output "fire" and 1 output "fault"
- Output delay from 0 to 900 seconds
- Enabling and disabling of the panels
- Plastic box
- Built-in RS 485 interface
- Ability to add M 9000R-x relay module and control 2/4/6 or 8 relay outputs
- Consumer power supply (18-26) V / 2,0 A
- Space for 2 batteries 12V / (4.5-5) Ah



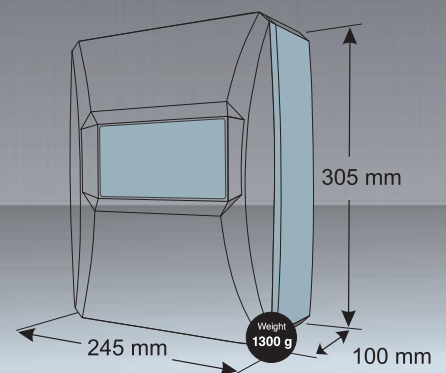
FP 9000P Power Supply

FP 9000P is a power supply unit for fire protection automation according to the requirements of (EN 54-4) for address and conventional systems.



Functional characteristics:

- Output voltage (18-26) V
- Output continuous current 2.0 A
- Peak current - 3.5A for 15 min.
- Reserved battery power
- LED indication (EN 54-4)
- Fault Relay (NC, COM, NO) - 5-30 VDC / 1 A
- Plastic box
- Space for 2 batteries 12V / (4.5-5) Ah



CONVENTIONAL FIRE ALARM SYSTEM



D 9000 SR
OPTICAL
SMOKE
FIRE DETECTOR

Functional characteristics:

- Power supply (9-30) V
- Standby power consumption 80 μ A
- Consumption in alarm mode 20 mA / 24 V
- LED indication 360°
- Flashing for performance -16 sec.
- Self-compensation for contamination
- Indication of contaminated camera
- Ability for lock to the base
- EN Certified EN 54-7



D 9000 T A1R
RATE OF RISE
HEAT DETECTOR

Functional characteristics:

- Power supply (9-30) V
- Consumption in standby mode 50 μ A
- Consumption in alarm mode 20 mA / 24 V
- LED indication 360°
- Flashing for performance -16 sec.
- Ability for lock to the base
- A1 Class A1R (EN 54-5)
- EN Certified EN 54-5



D 9000 T A1S
FIXED
TEMPERATURE
HEAT DETECTOR

Functional characteristics:

- Power supply (9-30) V
- Consumption in standby mode 50 μ A
- Consumption in alarm mode 20 mA / 24 V
- LED indication 360°
- Flashing for performance -16 sec.
- Ability for lock to the base
- A1 Class A1S (EN 54-5)
- EN Certified EN 54-5



D 9000 MSR
COMBINED
OPTICAL
SMOKE AND HEAT
DETECTOR

Functional characteristics:

- Power supply (9-30) V
- Consumption in standby mode 80 μ A
- Consumption in alarm mode 20 mA / 24 V
- LED indication 360°
- Flashing for performance -16 sec.
- Ability for lock to the base
- A1 Class A1S (EN 54-5)
- EN Certified EN 54-5 and EN 54-7



S 9000
INDOOR SIREN
with base

Functional characteristics:

- Power supply (9-30) V
- 65 mA power consumption
- Sound level 96 dB / 24 V
- Complete with red base B 9000 with lock
- Flash-light indication
- Certified EN 54-3

CONVENTIONAL FIRE ALARM SYSTEM



D 9000 MCP
MANUAL
CALL POINT

Functional characteristics:

- Power supply (9-30) V
- Switch 0.5 k / 2 W, (1 k/1 W)
- A recoverable, flexible work item
- Status LED
- Special key to recover from an alarm event and test
- Protective transparent plastic cover
- Possibility of sealing
- Certified according to EN 54-11 type A
- Degree of protection IP 40



**B 9000 /
B 9000D***
STANDARD BASE
WITH KEY FOR LOCK

- Connecting wires - 0.4-2.0 mm²
- Material (plastic) - ABS
- Compatible with D 9000 series detectors
- Key with ability to lock the detectors

* Standard base with Schottky diode



B 9000R
BASE WITH
RELAY OUTPUT

- Power supply (9-15) V
- Relay (NC, COM, NO)
- Connecting wires - 0.4-2.0 mm²
- For use in security alarm systems
- Compatible with D 9000 series detectors
- Key with ability to lock the detectors



B 9000S
BASE WITH
SOUND
ANNOUNCER
MOUNTED

- Power supply (9-30) V
- Sound level 75 dB
- Compatible with D 9000 series detectors
- Connecting wires - 0.4-2.0 mm²
- Key with ability to lock the detectors
- Works with standard power supply as well as with installation of Fire Alarm
- Used in bedrooms for a higher alert level in an emergency



B9000F-W/R
MOUNTING KIT
- "DEEP BASE"



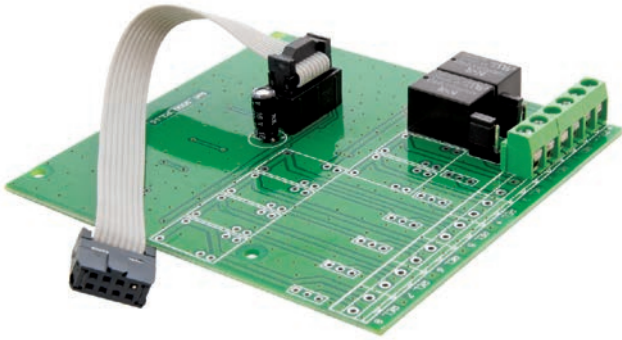
B9000F - W is outdoor mounting kit - "Deep base" compatible with the entire range of addressable and conventional fire detectors D9000 / D9000A and sirens S9000 / S9000A. The deep base allows the installation of devices on uneven surfaces, external piping, suspended ceilings and more.

Functional characteristics:

- Size: Ø 98mm / h 35mm
- Colors: white/red

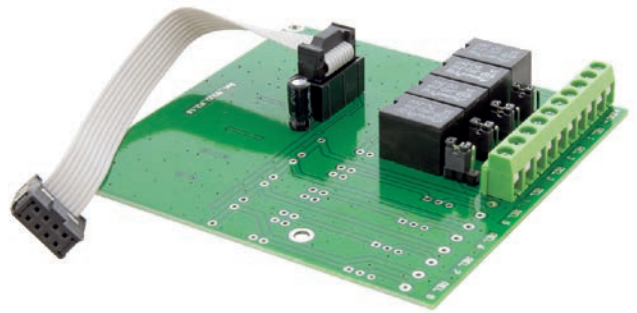
CONVENTIONAL FIRE ALARM SYSTEM

ACCESSORIES



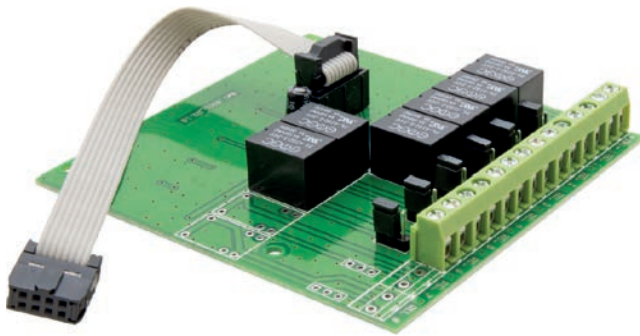
M 9000R-2

RELAY MODULE 2-RELAYS.
Expansion output module for FP 9000-4/8
and FP 9000L control panels



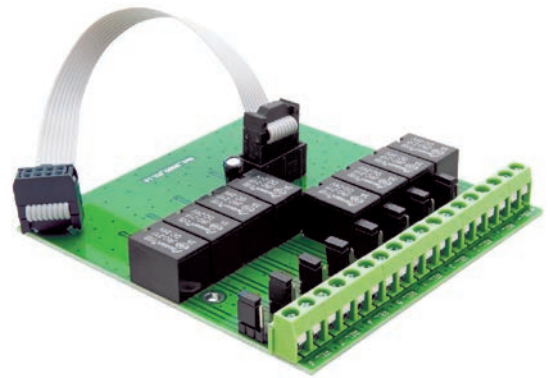
M 9000R-4

RELAY MODULE 4-RELAY.
Expansion output module for FP 9000-4/8
and FP 9000L control panels



M 9000R-6

RELAY MODULE 6-RELAY.
Expansion output module for FP 9000-4/8
and FP 9000L control panels



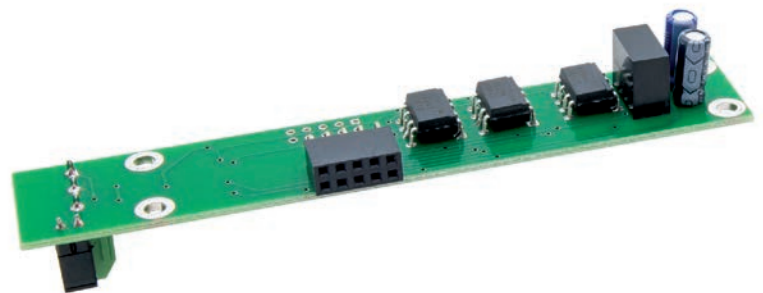
M 9000R-8

RELAY MODULE 8-RELAY.
Expansion output module for FP 9000-4/8
and FP 9000L control panels



RI 9000

REMOTE LED INDICATOR
with limiting resistor
560 Ω /0,5 W



M 9000-485

RS 485 INTERFACE MODULE, GALVANICALLY SEPARATED.
Used on FP 9000 panels to communicate on a network with an
FP 9000R repeater or a PC connection



M 9000-USB

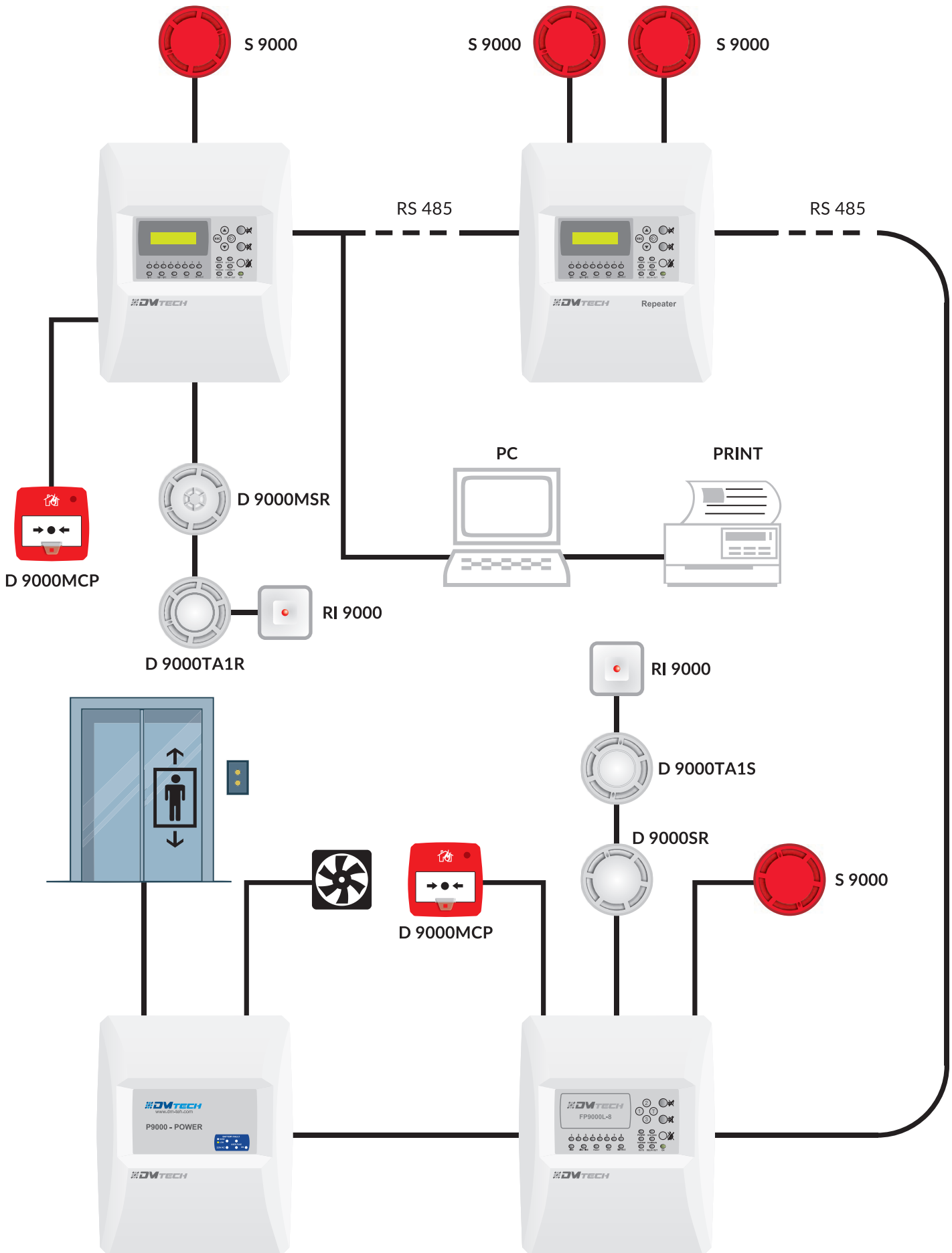
USB TO RS485 ADAPTER
FOR PC FOR COMMUNICATION
WITH FP9000 CONTROL PANELS



M 9000-12V

12 V / 250 MA POWER MODULE FOR POWERING 12 V
DATA TRANSMITTERS: GSM COMMUNICATORS, DIALERS
AND MORE FOR FP9000 PANELS

CONVENTIONAL FIRE ALARM SYSTEM



FIRE EXTINGUISHING SYSTEM

FP 9000E Fire Extinguishing Control Panel



Fire extinguishing control panel. The panel is intended for use in gas, dust, aerosol, water and other active extinguishing systems. Certified according EN 12094-1, EN 54-2 and EN 54-4

Functional characteristics:

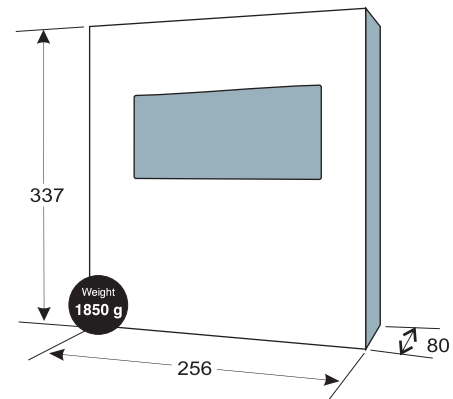
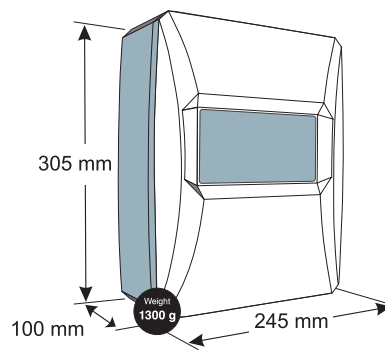
- LCD display 2x16 characters and LED indication
- Real-time clock, non-volatile.
- Archive - 1600 events
- Programming and setting parameters from the built-in keyboard and display menus.
- Plastic white box or metal red box
- Space for 2 batteries 12 V / (4.5-5) Ah
- Built-in switch Manual mode / Automatic mode / Prohibition.

Inputs:

- 2 conventional fire extinguishing zones
- 1 conventional fire alarm zones
- Low Pressure input - controllable balanced input
- Manual release input - controllable balanced input
- Mode select input - controllable balanced input for switching between automatic and manual mode
- Hold input - controllable balanced input
- Enable / Disable - controllable balanced input
- Flow Control - Controlled balanced input

Outputs:

- Out 1 (Siren 1 Level) - Controllable, 24 VDC, 500 mA
- Out 2 (Level 2 siren) - Controllable, 24 VDC, 500 mA
- Relay 1 Alarm Fire Level 5-30 VDC / 1 A
- Relay 2 Fire Alarm Level 5-30 VDC / 1 A
- Fault Relay (NC, COM, NO), 5-30 VDC / 1 A
- EXTING (Fire Extinguishing, EN 12094-1) - Controllable, 24 VDC / 1 A - 5 min, 24 VDC / 3A - 20 ms
- OC1 - Hold Activation Event
- OC2 - Disabled mode selected
- OC3 - Low Pressure Event
- OC4 - Manual mode selected



D 9000 MCP-Y

MANUAL RELEASE BUTTON
for extinguishing in Fire

Works in conjunction with fire extinguishing panels



Functional characteristics:

- Power supply (9-30) V
- Switching 1.5 k / 0.5 W
- A recoverable, flexible work item
- Special key for event and test recovery
- Protective transparent plastic cover
- Possibility of sealing

D 9000 MCP-B

EMERGENCY STOP BUTTON
for hold the extinguishing process extending the evacuation time

Works in conjunction with fire extinguishing panels



Functional characteristics:

- Power supply (9-30) V
- Switching 1.5 k / 0.5 W
- A recoverable, flexible work item
- Special key for event and test recovery
- Protective transparent plastic cover
- Possibility of sealing

D 9000 MCP-G

MANUAL EXTENSION RELEASE BUTTON

for automatic activation, which enables the extinguishing to be started using an additional extinguishing source



Functional characteristics:

- Power supply (9-30) V
- Switching 1.5 k / 0.5 W
- A recoverable, flexible work item
- Special key for event and test recovery
- Protective transparent plastic cover
- Possibility of sealing

D 9000 EXT

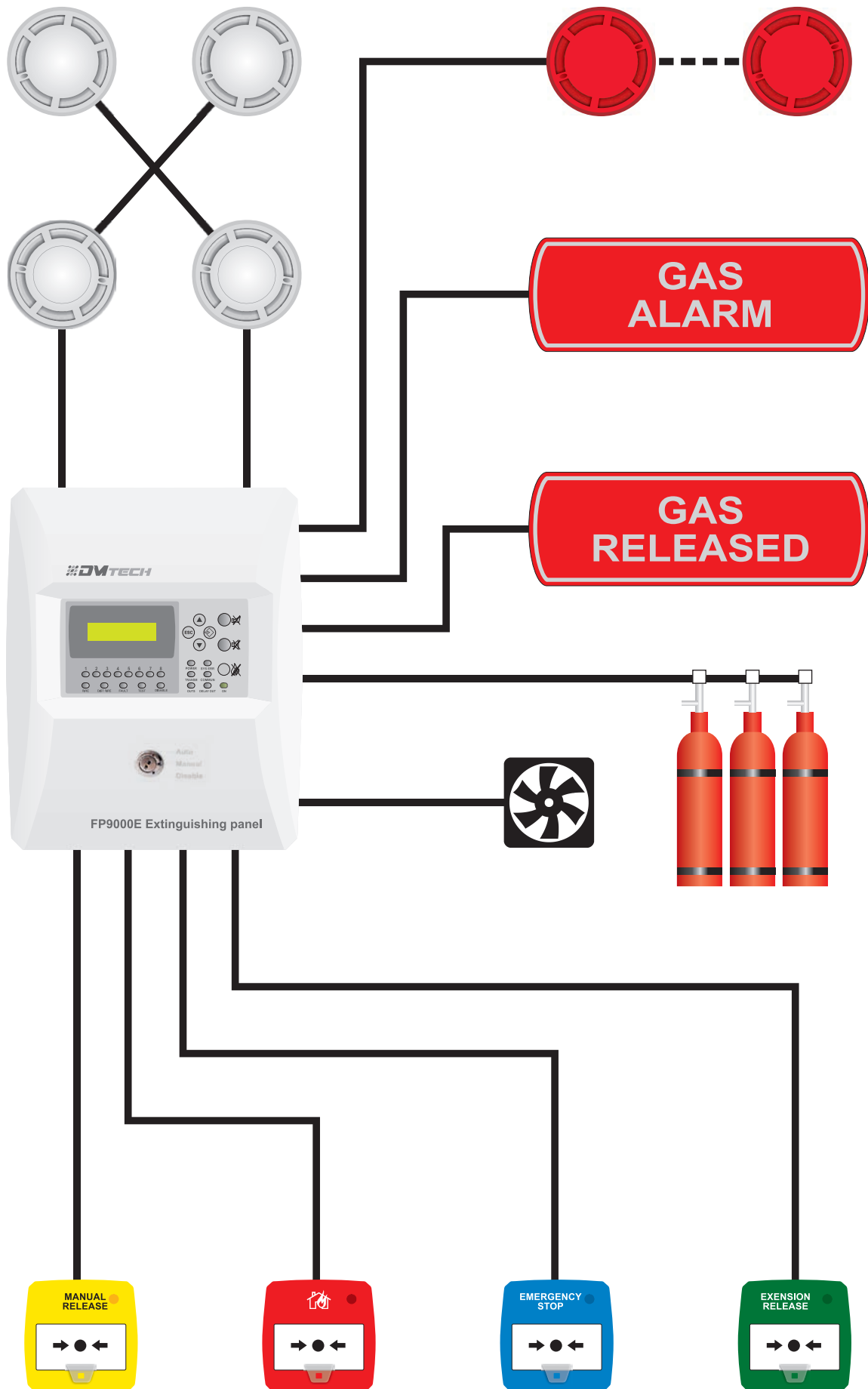
MICROPROCESSOR MODULE
with 4 relay outputs for aerosol extinguishing



Functional characteristics:

It is mounted to the fire extinguishing panel FP 9000E and serves for the control of AEROSOL EXTINGUISHING with 4 controllable relay outputs, which are switched on in series. This allows all actuators of the aerosol device to have the required full energy at the time of switching on.

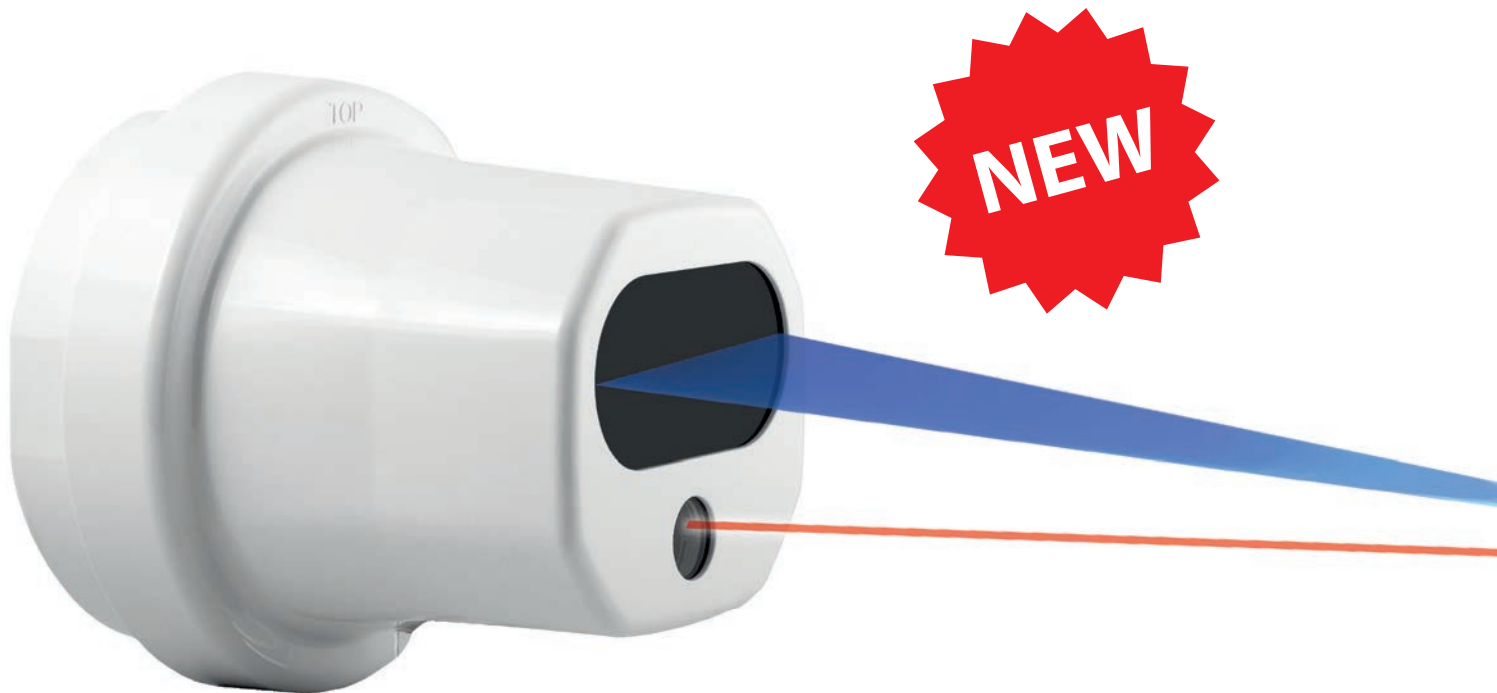
FIRE EXTINGUISHING SYSTEM



OPTICAL BEAM SMOKE DETECTOR

D9000 BEAM

Automatic compensation of the signal level in case of change in the geometry of the building structure at the fastening elements of the detector due to temperature and mechanical influences. Detection with blue and / or infrared spectrum of the beam. Possibility to place a remote control for indication and manual control via RS485 interface.



Functional characteristics:

Operating voltage	17-30 V
Standby current	20 mA
Electrical installation	4 wires
Relay for fire condition	1
Fault status relay	1
Working distance with 1 reflector	from 8 to 45 m
Working distance with quadruple reflector	45 to 120 m
Ajustment	Automatic / manual
Laser sight	Optional

 **DMTECH**

New ideas for Security

